

Pedestrian lowlifter truck 2.0 ton

BT levio

P-series

LPE200I



Pedestrian lowlifter

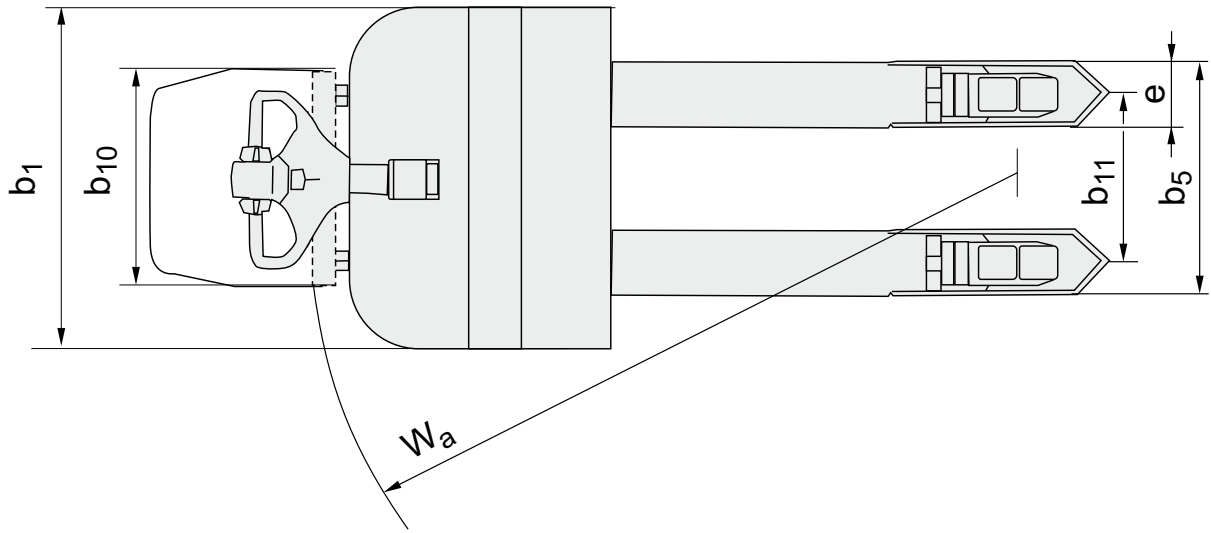
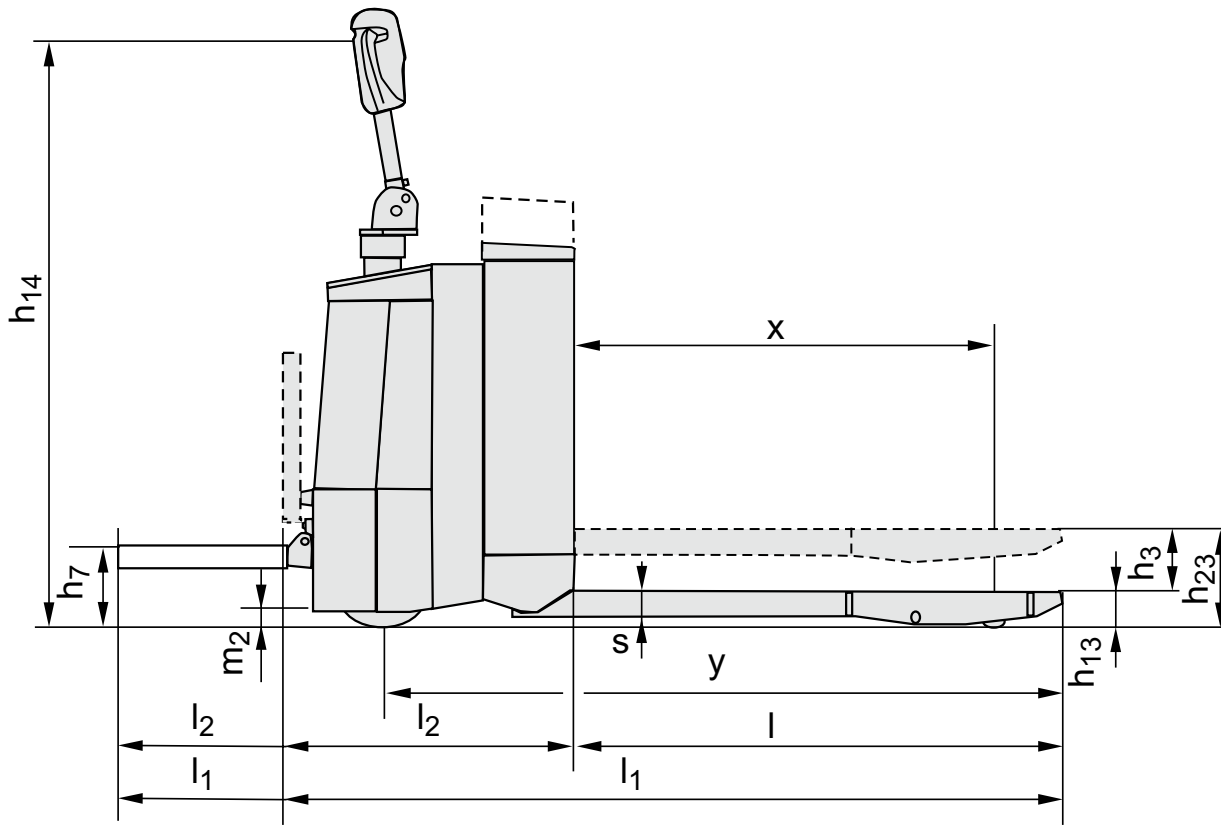
Specification for lowlifter trucks					LPE200I
Identification	1.1	Manufacturer			BT
	1.2	Model			LPE200I
	1.3	Drive			Electric
	1.4	Operator type			Pedestrian
	1.5	Load capacity/rated load	Q	kg	2000
	1.6	Load centre	c	mm	600
	1.8	Load distance, centre of support arm wheel to face of forks	x	mm	877
	1.9	Wheelbase	y	mm	1328
Weight	2.1	Service weight without battery		kg	555
	2.2	Axle load, with load, drive/castor/fork wheel		kg	570/480/1750
	2.3	Axle load, without load, drive/castor/fork wheel		kg	370/270/160
Wheels	3.1	Drive/castor/fork wheel			Vulkollan/PU/Vulkollan
	3.2	Wheel size, front		mm	Ø 215x70
	3.3	Wheel size, rear		mm	Ø 85
	3.4	Additional wheels (dimensions)		mm	Ø 125x40
	3.5	Wheels, number front/rear (x=driven wheels)			1x+2/2
	3.6	Track width, front	b ₁₀	mm	340/390/505
	3.7	Track width, rear	b ₁₁	mm	580
Dimensions	4.4	Lift	h ₃	mm	140
		Lift height	h ₂₃	mm	225
	4.8	Stand height	h ₇	mm	180
	4.9	Height of tiller in drive position, min./max.	h ₁₄	mm	980/1400
	4.15	Height, fork lowered	h ₁₃	mm	85
	4.19	Overall length	l ₁	mm	1693
	4.20	Length to face of forks	l ₂	mm	693
	4.21	Overall width	b ₁	mm	790
	4.22	Fork dimensions	s/e/l	mm	77/150/1150
	4.25	Width over forks	b ₅	mm	490/540/655
	4.32	Ground clearance, centre of wheelbase	m ₁	mm	39
	4.33	Aisle width for pallets 1000x1200 crossways	A _{st}	mm	2064/2434
	4.34	Aisle width for pallets 800x1200 lengthways	A _{st}	mm	2114/2484
4.35	Turning radius	W _a	mm	1661	
Performance data	5.1	Travel speed, with/without load		km/h	6,0/6,0
	5.2	Lift speed, with/without load		m/s	0,5/0,7
	5.3	Lowering speed, with/without load		m/s	0,8/0,7
	5.8	Max. gradeability, with/without load		%	8/18
	5.10	Service brake			Electric
Electric motor	6.1	Drive motor rating S2 60 min		kW	1,7
	6.2	Lift motor rating at S3 10%		kW	2,2
	6.4	Battery voltage/nominal capacity K _s		V/Ah	24/240
	6.5	Battery weight		kg	175/275
Others	8.1	Type of drive control			BT Powerdrive
	8.4	Sound level at the driver's ear acc to EN12 053		dB(A)	64

All data are based on table configuration. Other configurations may give other values.

Truck performance and dimensions are nominal and subject to tolerances.

Specifications are subject to change without notice.

Dimensions



Truck features:

- BT Powerdrive System
- Fingertip controls
- Electronic braking system
- Electronic speed control
- Operator safety
- Automatic switch-off
- Programmable performance
- Easy access for maintenance
- Flip-up operator platform
- NSF H1 certificate oil (option)

