

Autopilot stacker trucks 2.0 ton

BT autopilot SAE200



Autopilot stacker trucks

Specifications					SAE200
Identification	1.1	Manufacturer			BT
	1.2	Model			SAE200
	1.3	Drive			Electric
	1.4	Operator type			Pedestrian
	1.5	Load capacity/rated load	Q	kg	2000
	1.6	Load centre	c	mm	600
	1.8	Load distance, centre of support arm wheel to face of forks	x	mm	786
	1.9	Wheelbase	y	mm	1604
Weight	2.1	Service weight		kg	1065
	2.2	Axle load, with load, drive/ castor /support arm/wheel		kg	705/189/172
	2.3	Axle load, without load, drive/ castor /support arm/wheel		kg	637/324/1068
Wheels	3.1	Drive/support arm wheel			Vulkollan/Antistatic
	3.2	Wheel size, front		mm	Ø 250
	3.3	Wheel size, rear		mm	Ø 85x75
	3.4	Additional wheels (dimensions)		mm	Ø 150 x 50
	3.5	Wheels, number front/rear (x=driven wheels)			2-1x/4
Dimensions	4.2	Height, mast lowered	h_1	mm	2318
	4.3	Free lift	h_2	mm	1699
	4.4	Lift	h_3	mm	1712
		Lift height	h_{23}	mm	1790
	4.8	Stand height	h_7	mm	230
	4.9	Height of tiller in drive position, min./max.	h_{14}	mm	1085/1450
	4.15	Height, fork lowered	h_{13}	mm	91
		Total height with scanner	h_{20}	mm	2362
		Laser scanner beamer height	h_{21}	mm	2342
	4.19	Overall length, platform up	l_1	mm	2386
	4.20	Length to face of forks, platform up	l_2	mm	1186
	4.21	Overall width	b_1	mm	790
	4.22	Fork dimensions	s/e/l	mm	78/180/1200
	4.25	Width over forks	b_5	mm	550
	4.31	Ground clearance, with load, below mast	m_1	mm	55
4.34	Aisle width for pallets 800x1200 lengthways, platform up	A_{st}	mm	2586	
4.35	Turning radius	W_a	mm	2261	
Performance data	5.1	Travel speed, with/without load		km/h	6,0/6,0
	5.2	Lift speed, with/without load		m/s	0,07/0,10
	5.3	Lowering speed, with/without load		m/s	0,18/0,05
	5.8	Max. gradeability, with/without load		%	11/8 ¹⁾
	5.10	Service brake			Electromagnetic
Electric motor	6.1	Drive motor rating S2 60 min		kW	2,5
	6.2	Lift motor rating at S3 10%		kW	2,2
	6.4	Battery voltage/nominal capacity K_5		V/Ah	24/600
	6.5	Battery weight		kg	500
	Others	8.1	Type of drive control		

1) Measured according to company standard

All data are based on table configuration. Other configurations may give other values.

Truck performance and dimensions are nominal and subject to tolerances.

Specifications are subject to change without notice.

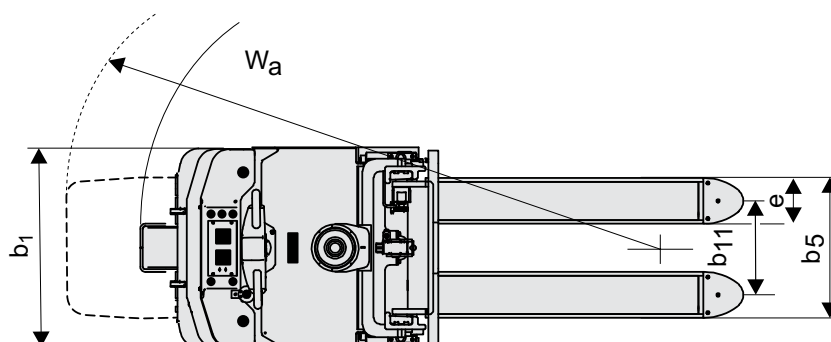
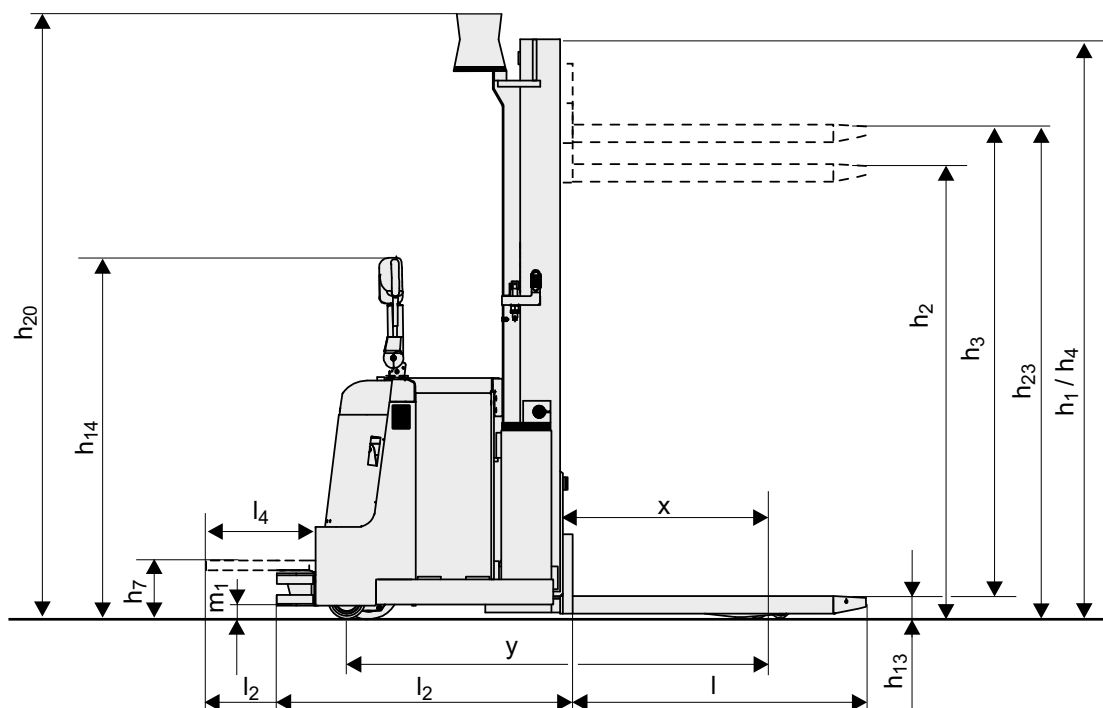
Battery dependent dimensions

BT autopilot

Dimensions, mm		SAE200			
		Battery compartment		Medium	Large
1.9	Wheelbase	y	mm	1518	1604
4.19	Overall length, with platform up	l_1	mm	2300	2386
4.34	Aisle width for pallets 800x1200 lengthways, with platform up	A_{st}	mm	2500	2586
4.35	Turning radius, with platform up	W_a	mm	1886	1972
6.4	Battery voltage, nominal capacity K_5		V/Ah	24/450	24/500
6.5	Battery weight, min.—max.		kg	380	500

Mast dimensions

Mast, mm			SAE200 Simplex
h_{23}	Lift height ($h_{13} + h_3$)	mm	1790
h_3	Lift	mm	1699
h_1	Height, mast lowered	mm	2318
h_2	Free lift, ground to top of forks	mm	1699
h_4	Height, mast extended	mm	2318



Truck features:

- BT Powerdrive System
- Powertrak traction system
- Fingertip controls
- Information display
- Electronic braking system
- Electronic regenerative brakes
- Driver detection system
- Sideways battery change

