

Autopilot towing truck 5.0 ton

TRACTO
AUTOPILOT
TAE500



Towing truck

Truck specifications				TAE500	
Identification	1.1	Manufacturer		Toyota	
	1.2	Model		TAE500	
	1.3	Drive		Electric	
	1.4	Operator type		Stand on/Autom.	
	1.5	Rated capacity /rated load	Q	kg	5000/5000
	1.7	Rated drawbar pull	F	N	1150
		Maximum drawbar pull	F	N	3500
	1.9	Wheelbase	y	mm	1319
Weight	2.1	Service weight without battery		kg	855
	2.3	Axle load with battery ¹⁾ , drive wheel/support arm wheels		kg	848/497
Wheels	3.1	Drive/support arm wheels			Vulkollan®
	3.2	Wheel size, front	Ø	mm	250x92
	3.3	Wheel size, rear	Ø	mm	140x70
Dimensions	4.2.1	Overall height without scanner	h_{15}	mm	2257
		Total height with navigation scanner	h_{20}	mm	2392/2969
		Height navigation scanner eye	h_{21}	mm	2356/2933
	4.8	Stand height	h_7	mm	130
	4.12	Coupling height			
		Towing pin Ø20, auto	h_{10}	mm	263
		Towing pin Ø20, manual	h_{10}	mm	188/283/378/473
		Towing ball Ø50mm	h_{10}	mm	298/393/488/583
	4.19	Overall length	l_1	mm	1757
	4.21	Overall width	b_1/b_2	mm	950/800
	4.26	Width between support arm wheels	b_4	mm	613
4.32	Ground clearance, centre of wheelbase	m_1/m_2	mm	62/71	
4.35	Turning radius	W_a	mm	1597	
4.44	Clear width driver compartment entrance	l_{24}	mm	450	
Performance data	5.1	Travel speed, drive wheel direction. with/without load			
		Manual mode		km/h	6,0/11,0
		Auto mode Towing pin, auto		km/h	6,0/8,0
		Auto mode Towing pin, manual		km/h	6,0/6,0
5.7	Gradeability, with/without load		%	3/13	
5.10	Service brake			1 stage electromagnetic	
Electric motor	6.1	Drive motor rating S2 60 min		kW	2,8
	6.4	Battery voltage, nominal capacity K_5 , Lead-acid		V/Ah	24/465,620
		Battery voltage, nominal capacity K_5 , Li-Ion		V/Ah	24/300
	6.5	Battery weight, min./max.		kg	338/538
Other	8.1	Type of drive control			Variable AC
	8.4	Sound level at the driver's ear according to EN 12 053			65,7

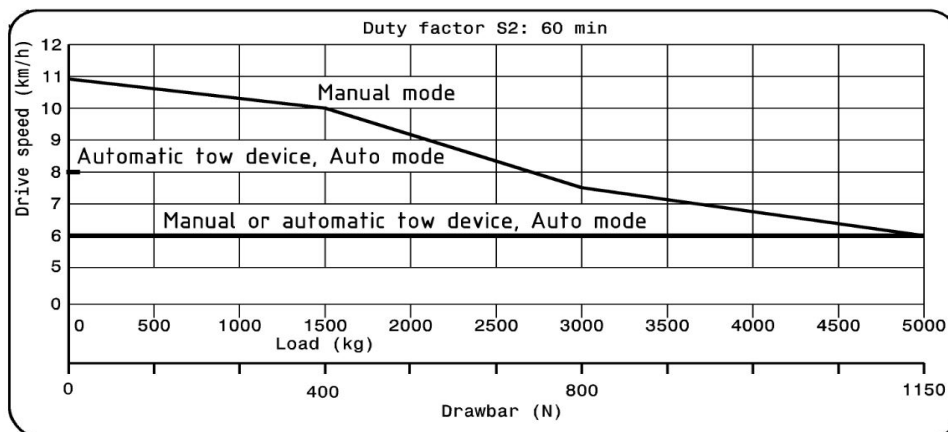
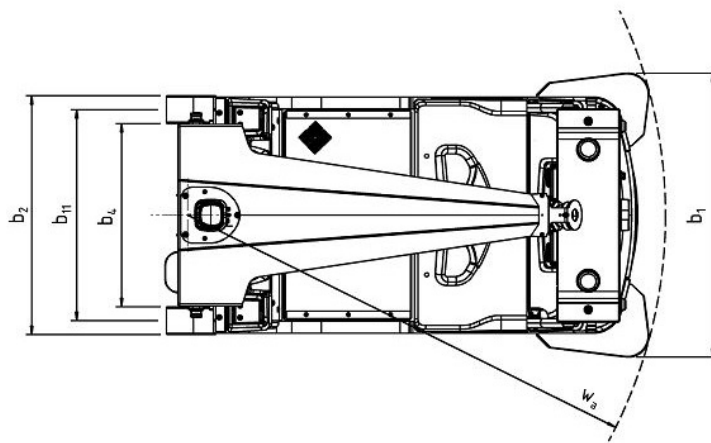
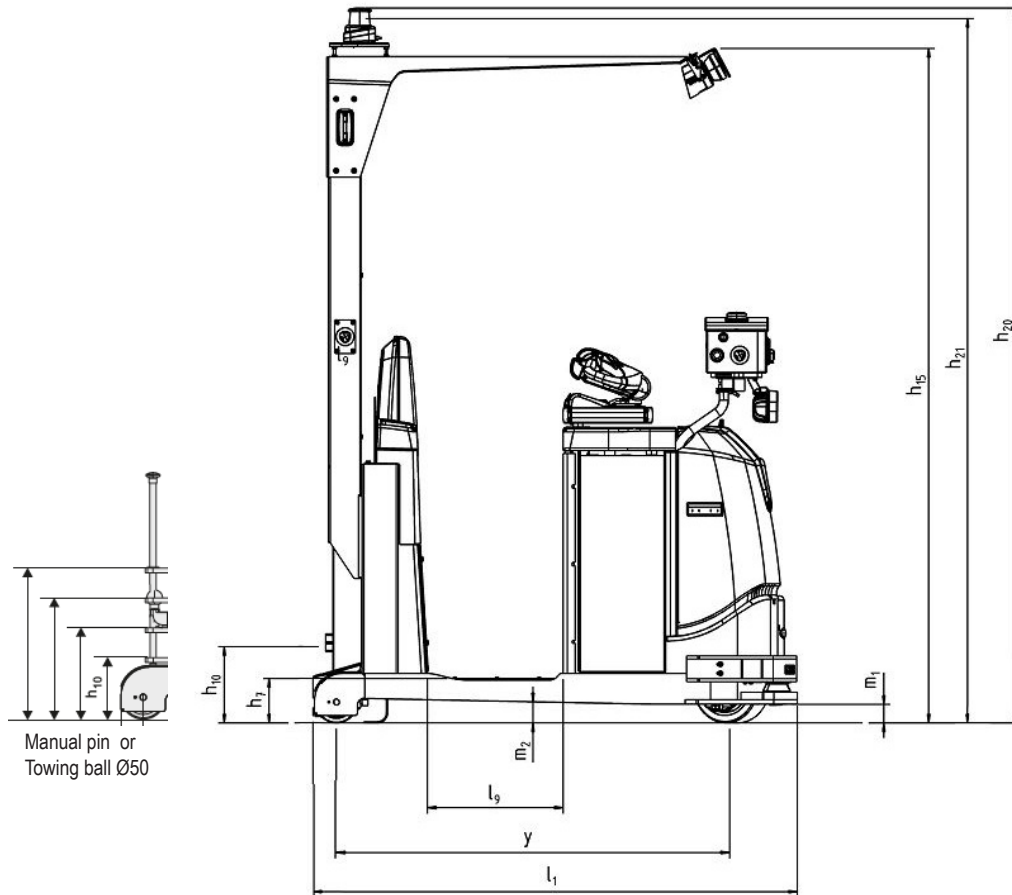
¹⁾ Including 490kg battery

All data are based on table configuration. Other configurations may give other values.

Truck performance and dimensions are nominal and subject to tolerances.

Toyota Material Handling Manufacturing Sweden AB products and specifications are subject to change without notice.

Dimensional drawings



Truck features:

- High performance model
- Manual handling
- Automatic handling
- Laser precision navigation.
- Personal safety protection in drive direction.
- Personal safety protection along sides.
- Personal protection in reverse direction. (optional)
- Obstacle detection, front. (optional)
- Obstacle detection, top. (optional)
- Blue/red LED warning light in drive direction. (optional)
- Automatic tow coupling device. (optional)
- Manual tow coupling device. (optional)
- Power supply for host carrier. (optional)
- Automatic charging, Li-Ion battery. (optional)
- Information display

