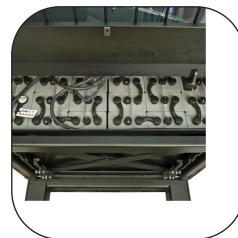


Very narrow aisle truck 1.25 ton

BT vector

R-series

VRE125SF



Very Narrow Aisle truck

Truck specifications					VRE125SF
Identification	1.1	Manufacturer			Toyota
	1.2	Model			VRE125SF
	1.3	Drive			Electric
	1.4	Operator type			Seated
	1.5	Load capacity/rated load	Q	kg	1250
	1.6	Load centre	c	mm	600
	1.9	Wheelbase	y	mm	2137/2537
Weight	2.1	Service weight including battery		kg	4630
	2.2	Axle load, with load, drive/support arm wheel		kg	2411/3477
	2.3	Axle load, without load, drive/support arm wheel		kg	1983/2647
Wheels	3.1	Drive/support arm wheel			Vulkollan
	3.2	Wheel size, front		mm	Ø 230x110
	3.3	Wheel size, rear		mm	Ø 400x160
	3.5	Wheels, number front/rear (x = driven wheels)			4/1x
	3.6	Track width, front	b_{10}	mm	1220
	Dimensions	4.2	Height, mast lowered	h_1	mm
4.3		Free lift	h_2	mm	2090 *
4.4		Lift	h_3	mm	6035 *
		Lift height	h_{23}	mm	6400 *
4.5		Height, mast extended	h_4	mm	7965 *
4.7		Height of overhead guard	h_6	mm	2261
4.8		Seat height	h_7	mm	1100
4.15		Height of lowered forks	h_{13}	mm	365
4.19		Overall length	l_1	mm	2740/3140
4.21		Overall width	b_1	mm	1375/1490
4.22		Fork dimensions	s/e/l	mm	75/180/1200 *
4.25		Width over forks	b_5	mm	550
4.31		Ground clearance, with load, below mast	m_1	mm	70
4.32		Ground clearance, centre of wheelbase	m_2	mm	60
4.34		Aisle width for pallets 800x1200 lengthways	A_{st}	mm	1450 *
4.35	Turning radius	W_a	mm	2389/2789	
Performance data	5.1	Travel speed, with/without load		km/h	11,25/14
	5.2	Lift speed, with/without load		m/s	0,40/0,50
	5.3	Lowering speed, with/without load		m/s	0,50/0,48
	5.9	Acceleration time, with/without load (0-10m)		s	5,7/5,2
	5.10	Service brake			Electric
Electric motor	6.1	Drive motor rating S2 60 min		kW	7,5
	6.2	Lift motor rating S3 15%		kW	15
	6.4	Battery voltage, nominal capacity K_5		V/Ah	48/620 *
	6.5	Battery weight		kg	956 *
	6.6	Energy consumption acc to VDI cycle ¹⁾		kWh/h	
	Other	8.1	Type of drive control		
8.4		Sound level at the driver's ear according to EN 12 053		dB(A)	61

1) Contact your supplier for information

* Other dimensions available

All data are based on table configuration. Other configurations may give other values.

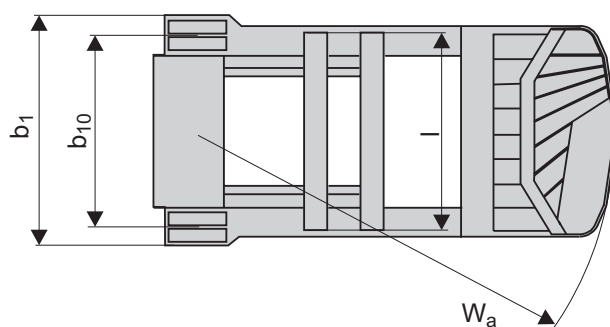
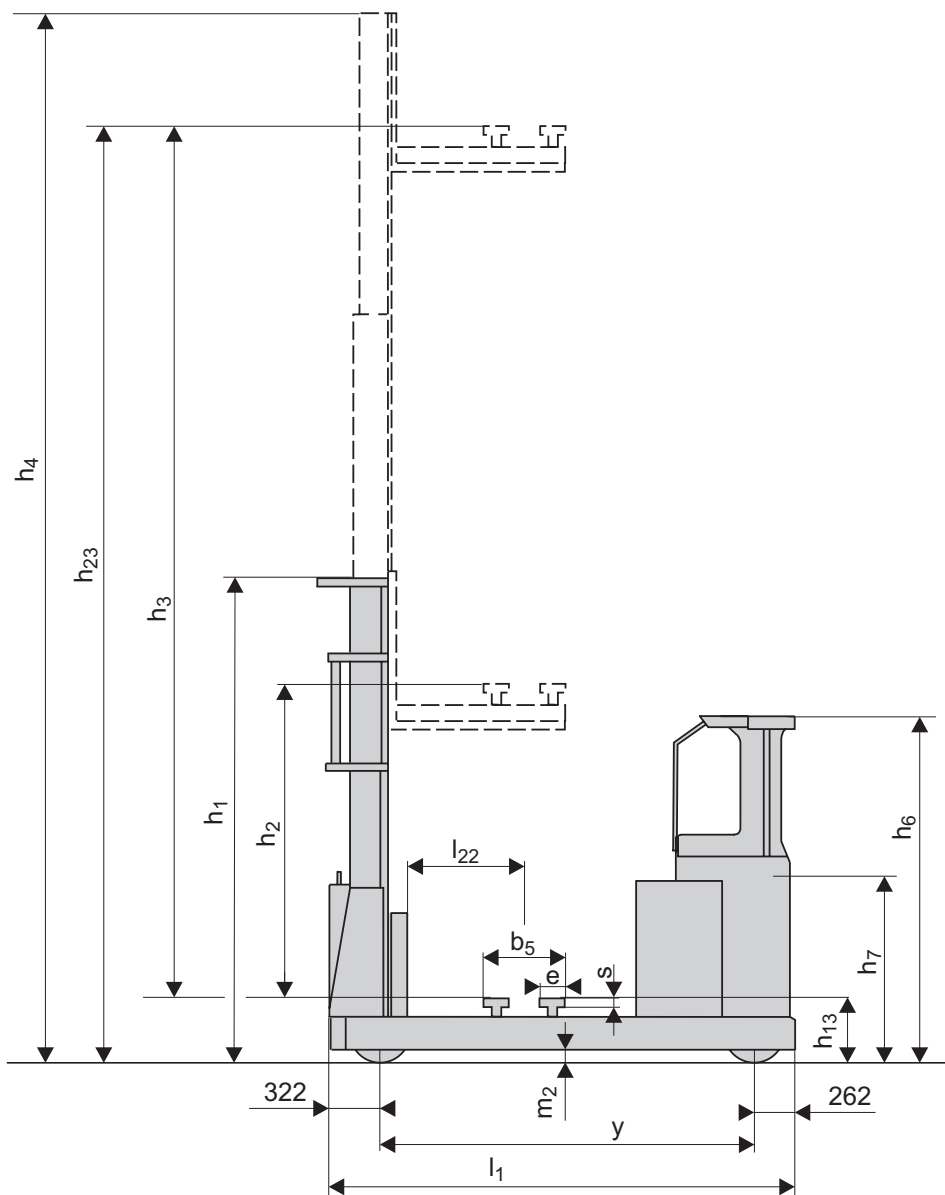
Truck performance and dimensions are nominal and subject to tolerances.

Toyota Material Handling products and specifications are subject to change without notice.

Mast dimensions

BT vector

Mast				Triplex Hi-Lo										
VRE125SF	Lift height	h_{23}	mm	4600	5200	5800	6400	7300	7900	8500	9100	9700	10300	11300
	Lift	h_3	mm	4525	5125	5725	6325	7225	7825	8425	9025	9625	10225	11225
	Height, mast lowered	h_1	mm	2535	2735	2935	3135	3570	3770	3970	4170	4505	4705	5035
	Free lift	h_2	mm	1490	1690	1890	2090	2524	2724	2924	3124	3458	3658	3990
	Height, mast extended	h_4	mm	5265	5865	6465	7065	7965	8565	9165	9765	10365	10965	11965



Truck features:

- Total view concept
- Car pedal layout
- Automatic parking brake
- TLC, Transitional Lift Control
- 360° steering
- Simultaneous hydraulic control
- Single function levers or multi function control
- Heavy duty drive unit and gear box

